

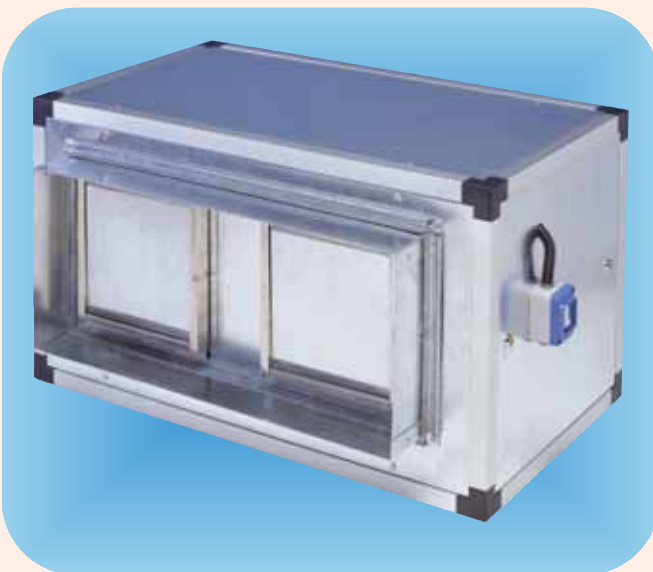
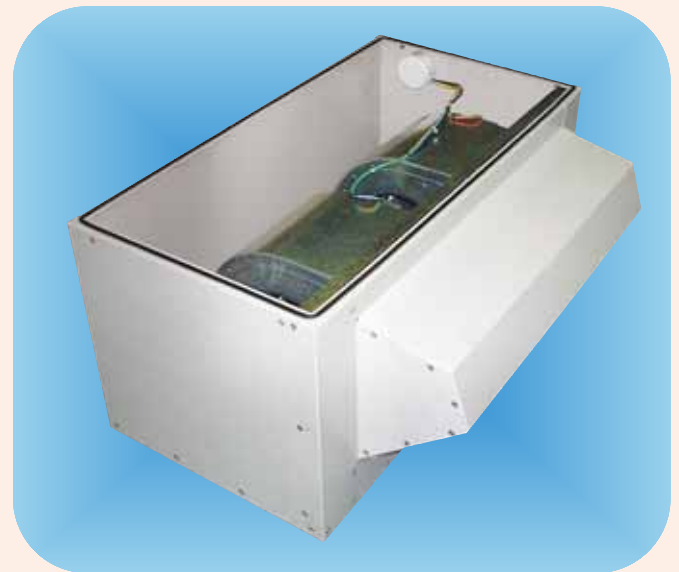
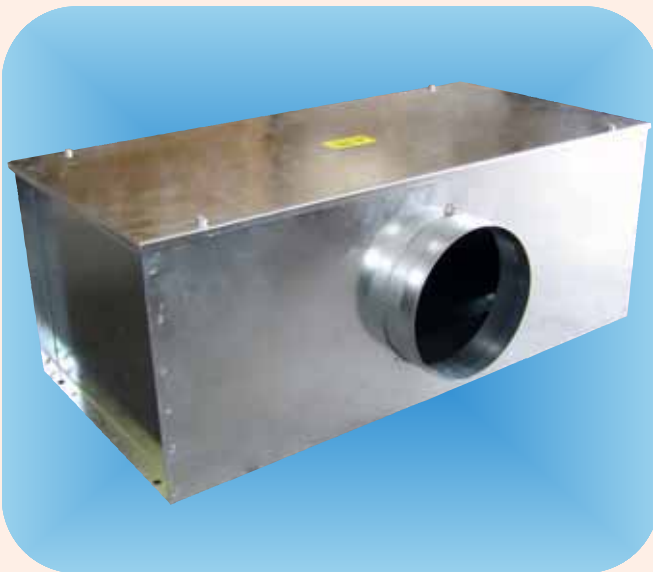
CENTRIFUGAL TWIN FANS

FOR INDUSTRIAL / COMMERCIAL USE

- “DMTSQ” - Duct Mounted, Slimline, Quiet
- “RMTS” - Roof Mounted, Slimline
- “DMT” - Duct Mounted
- “RMT” - Roof Mounted
- Belt Driven "DMT" and "RMT"



Uniclass L7534



"DMT" and "RMT" - DIRECT DRIVE - DUCT and ROOF MOUNTED

"DMT" Direct Drive, Duct Mounted Twn Fan

- 12 models
- Single inlet and outlet ducts
- Galvanised steel cabinet (aluminium optional)
- Acoustic lining as standard
- All fans single phase except DMT12/9AT and DMT12/12AT

"RMT" Direct Drive, Roof Mounted Twin Fan

- Inlet duct can be through underside or side panel
- Cabinet in aluminium
- Acoustic lining as standard
- All fans single phase except RMT12/9AT and RMT12/12AT



Belt driven models available

"DMT" and "RMT" - DIRECT DRIVE - TECHNICAL DATA

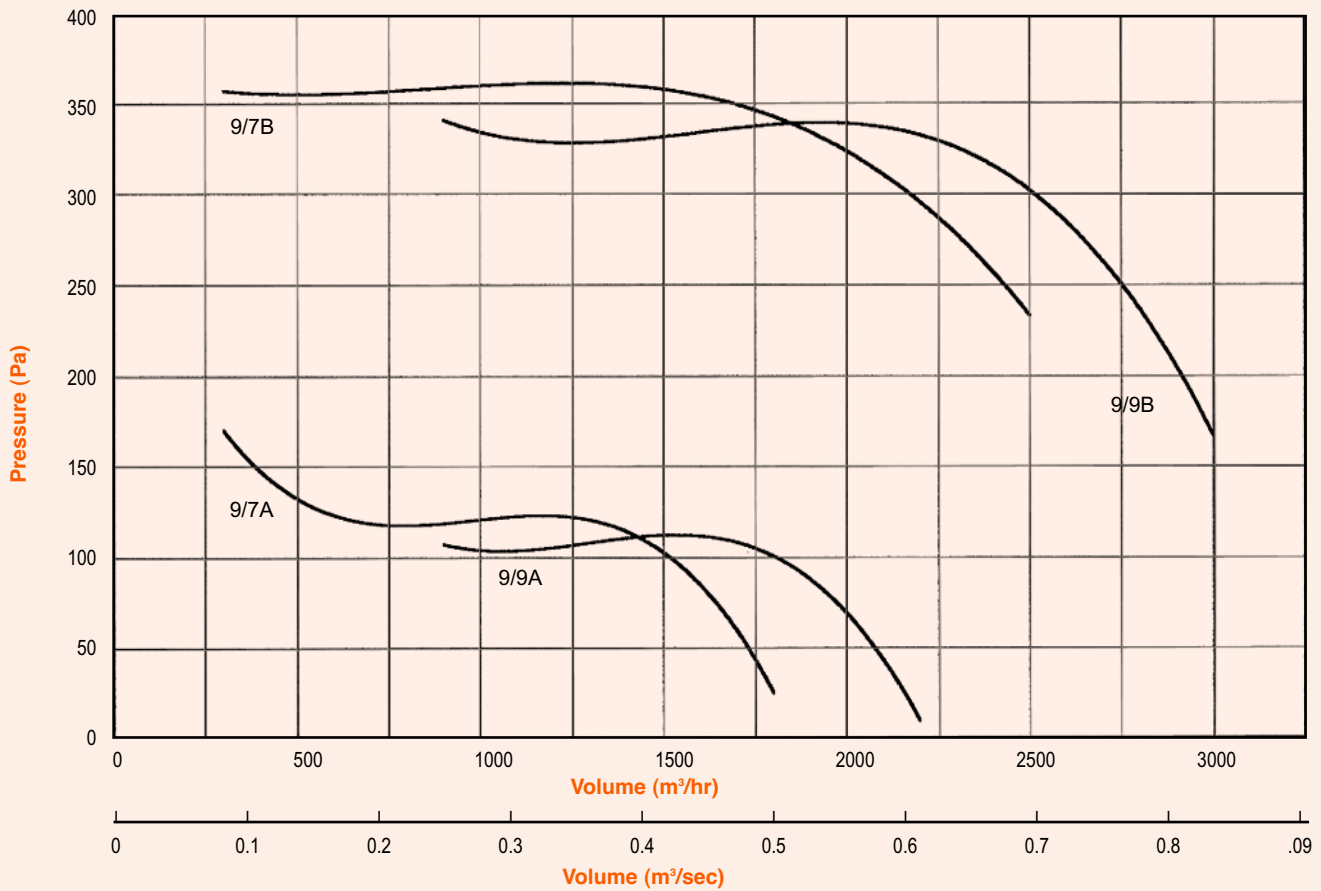
Model	Power Kw	Current amps	Speed rpm	Sound Level - db A at 3m	Sound Power Levels db - Mid Octave Bands (Hz)							
					63	125	250	500	1000	2000	4000	8000
DMT/RMT9/7AM	.12	2.00	950	48	41	45	49	50	51	51	46	41
DMT/RMT9/7BM	.37	4.00	1450	55	46	51	55	56	57	57	51	45
DMT/RMT9/9AM	.12	2.20	950	49	41	47	49	50	53	52	46	35
DMT/RMT9/9BM	.37	4.50	1450	55	47	53	55	56	59	58	52	40
DMT/RMT10/8AM	.24	3.00	950	49	41	48	50	50	56	54	50	38
DMT/RMT10/8BM	.55	5.20	1450	57	47	54	56	56	61	60	56	44
DMT/RMT10/10AM	.24	3.00	950	49	38	47	50	49	55	52	49	36
DMT/RMT10/10BM	.55	6.80	1450	58	44	53	56	55	61	58	55	42
DMT/RMT12/9AM	.55	6.00	950	52	48	57	60	58	59	59	55	43
DMT/RMT12/12AM	.55	5.60	950	54	48	53	60	58	59	58	53	42
DMT/RMT12/9AT	1.10	4.20	950	61	46	50	56	58	58	57	53	40
DMT/RMT12/12AT	1.10	4.70	950	63	51	54	57	58	56	56	50	36

"DMT" and "RMT" - DIRECT DRIVE - PERFORMANCE

Model	Max m ³ /hr	Max cfm	m ³ /sec at Pa										
			0	25	50	75	100	125	150	200	250	300	400
DMT/RMT9/7AM	2000	1180	-	0.51	0.48	0.46	0.42	0.26	0.11	-	-	-	-
DMT/RMT9/7BM	3000	1770	-	-	-	-	-	-	-	0.75	0.67	0.61	-
DMT/RMT9/9AM	2300	1360	0.64	0.59	0.58	0.55	0.50	-	-	-	-	-	-
DMT/RMT9/9BM	3300	1950	-	-	-	-	-	-	-	0.79	0.76	0.70	-
DMT/RMT10/8AM	2900	1710	0.81	0.78	0.77	0.75	0.72	0.68	0.64	-	-	-	-
DMT/RMT10/8BM	4000	2300	-	-	-	-	-	-	-	-	-	0.97	0.81
DMT/RMT10/10AM	3400	2000	-	-	-	0.83	0.77	0.73	0.67	-	-	-	-
DMT/RMT10/10BM	4500	2650	-	-	-	-	-	-	-	-	1.11	1.06	0.47
DMT/RMT12/9AM	4500	2650	1.31	1.29	1.28	1.25	1.24	1.22	1.19	1.10	0.92	-	-
DMT/RMT12/12AM	5000	2950	1.42	1.40	1.39	1.36	1.35	1.33	1.32	1.25	1.07	-	-
DMT/RMT12/9AT	7500	4420	2.00	1.93	1.86	1.88	1.72	1.65	1.58	1.39	1.17	-	-
DMT/RMT12/12AT	8000	4720	-	-	2.22	2.15	2.08	2.00	1.92	1.76	1.56	-	-

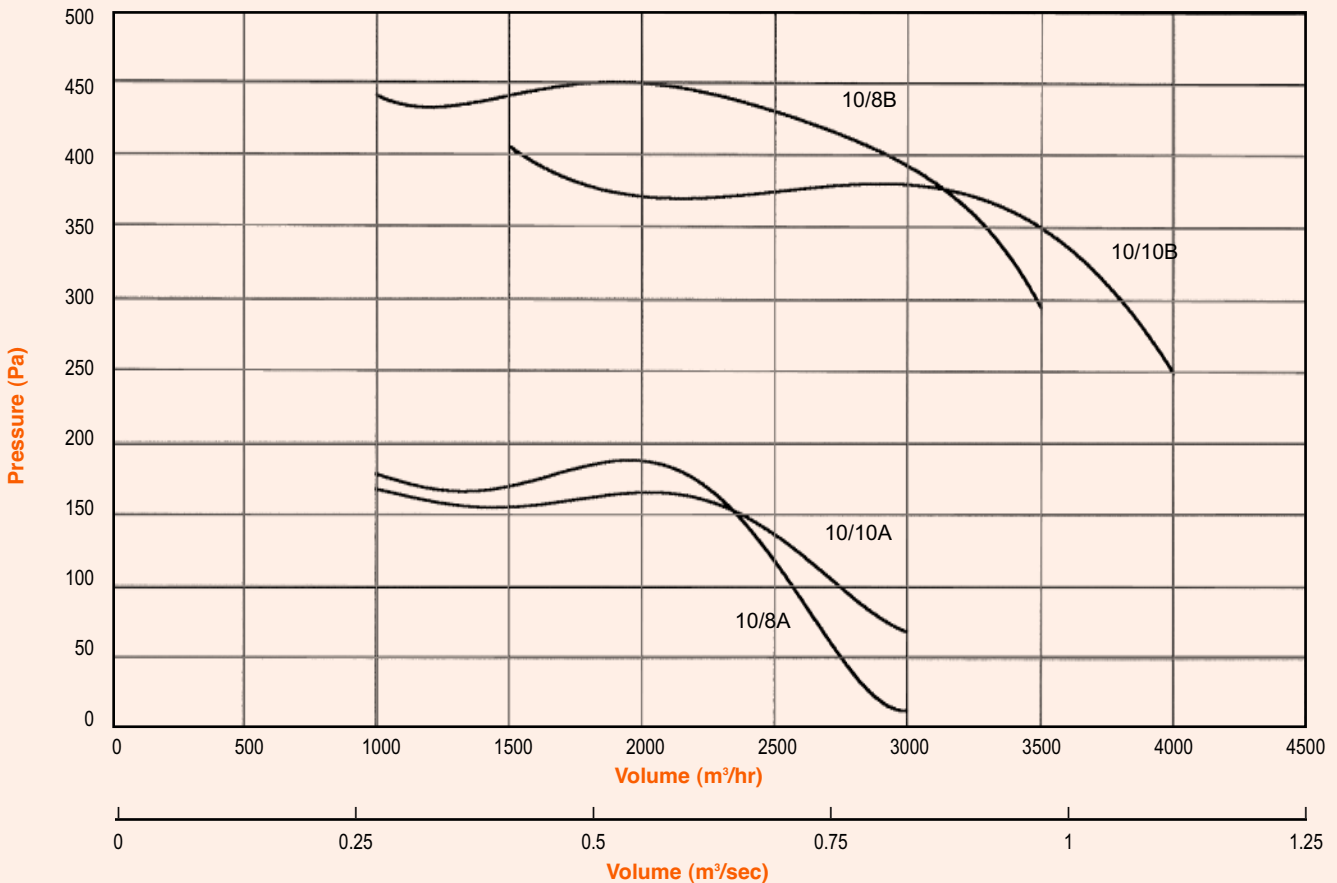
“DMT” “RMT” MODELS - PERFORMANCE CURVES

Models 9/7 and 9/9



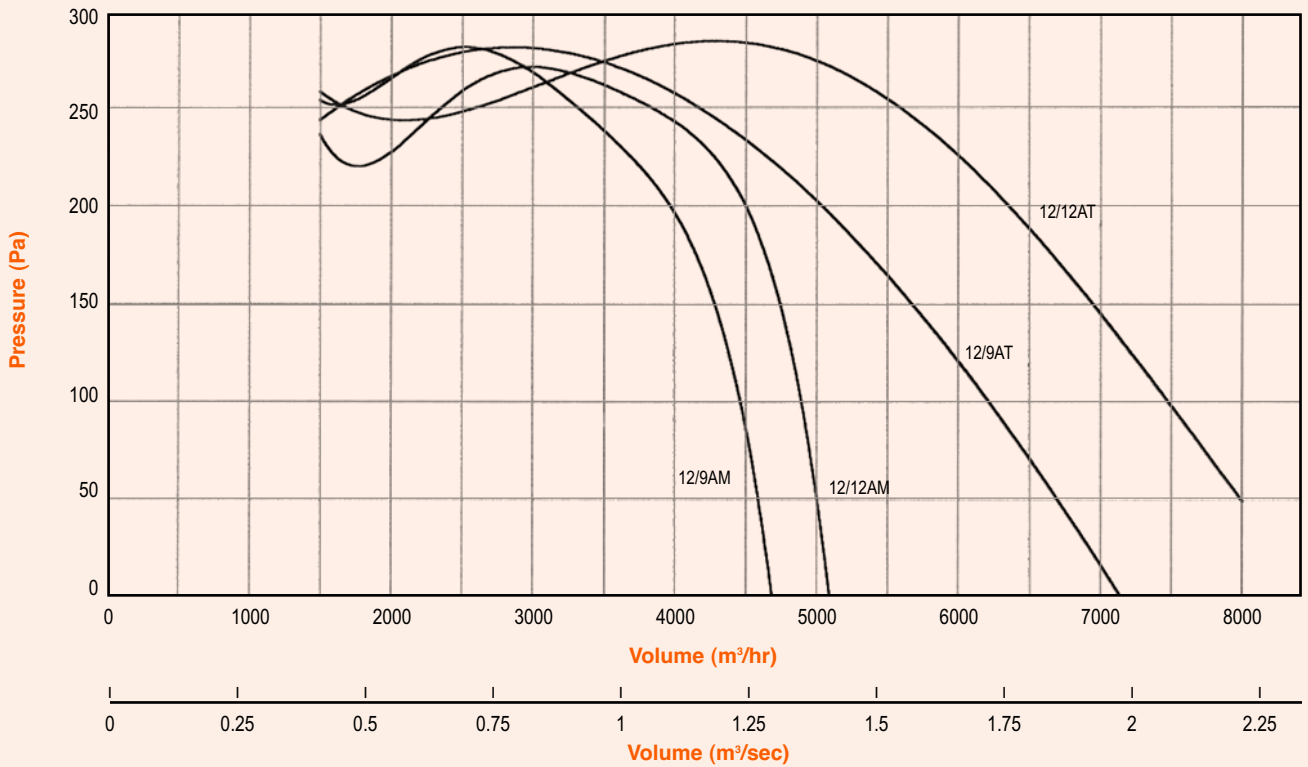
“DMT” and “RMT” MODELS - PERFORMANCE CURVES

Models 10/8 and 10/10



“DMT” and “RMT” MODELS - PERFORMANCE CURVES

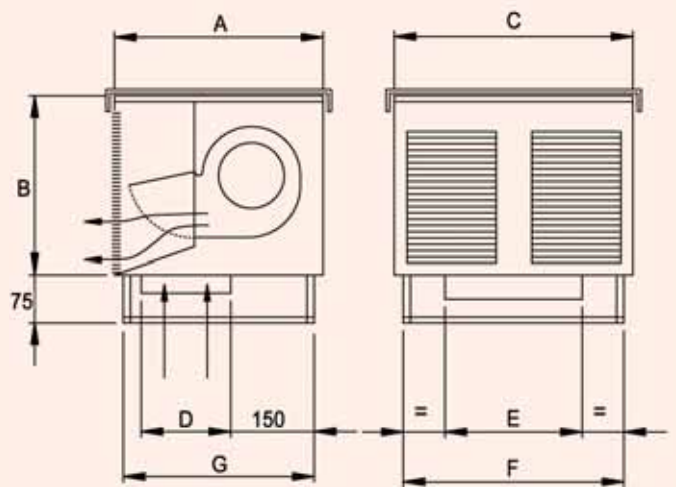
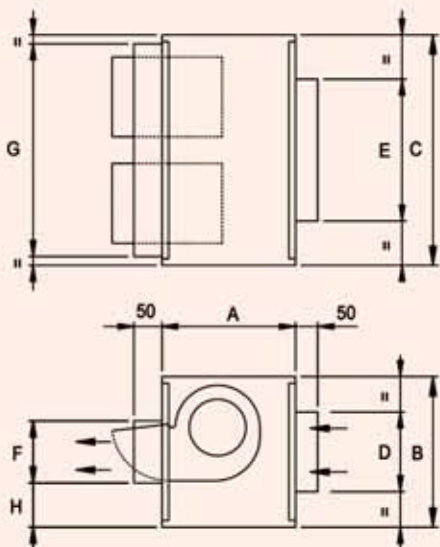
Models 12/9 and 12/12



“DMT” DIMENSIONS (mm)

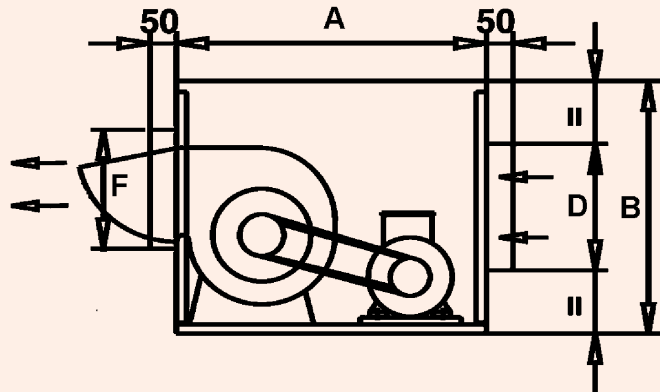
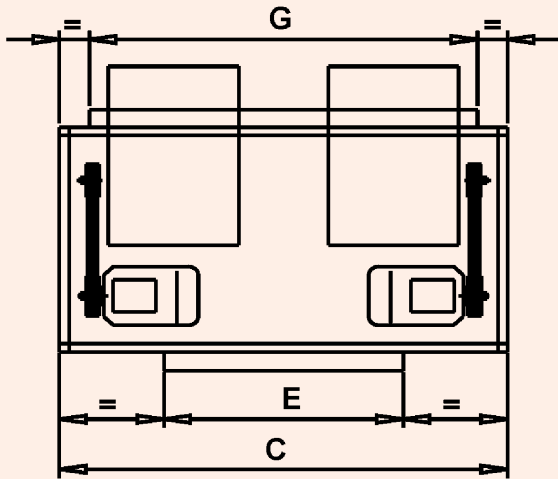
“RMT” DIMENSIONS (mm)

	A	B	C	D	E	F	G	H	Weight kg		A	B	C	D	E	F	G	Weight kg
9/7	500	500	900	400	400	340	700	80	26	9/7	800	600	900	200	300	870	670	30
9/9	600	600	1100	400	400	400	900	100	52	9/9	800	600	1100	300	400	1070	670	60
10/8	600	600	1100	400	400	400	900	100	64	10/8	900	600	1100	400	400	1070	770	78
10/10	600	600	1100	400	400	400	900	100	64	10/10	900	600	1100	400	400	1070	770	78
12/9	750	750	1400	400	400	400	1100	125	80	12/9	1000	750	1400	400	400	1370	970	90
12/12	750	750	1500	500	600	400	1100	125	94	12/12	1000	750	1500	400	400	1470	970	100



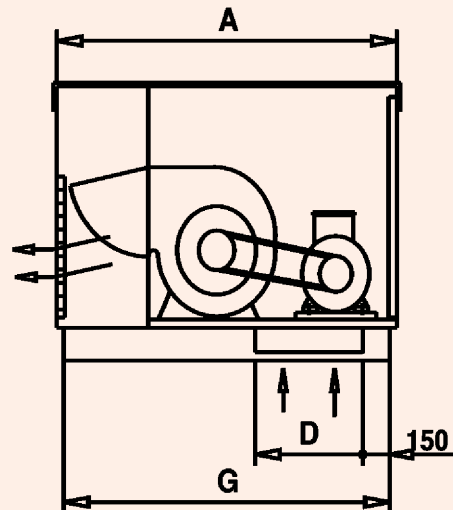
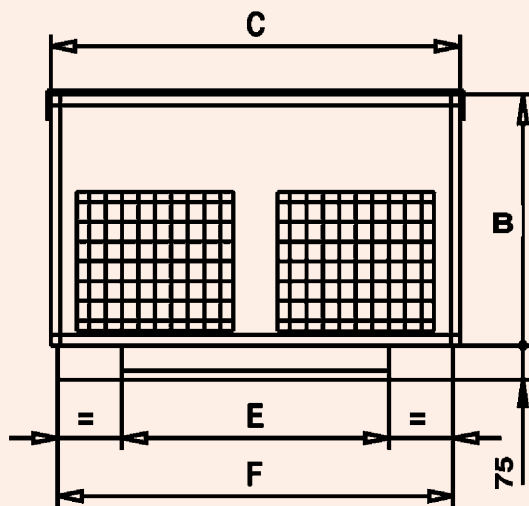
“DMTB” - DUCT MOUNTED, BELT DRIVEN MODELS - DIMENSIONS (mm)

	A	B	C	D	E	F	G
15/15	1200	1000	1800	400	500	500	1300
18/18	1200	1000	2000	500	600	570	1500
20/20	1500	1200	2200	600	700	700	1650
22/22	1600	1350	2300	650	800	750	1800
25/25	1700	1500	2800	700	800	850	2100

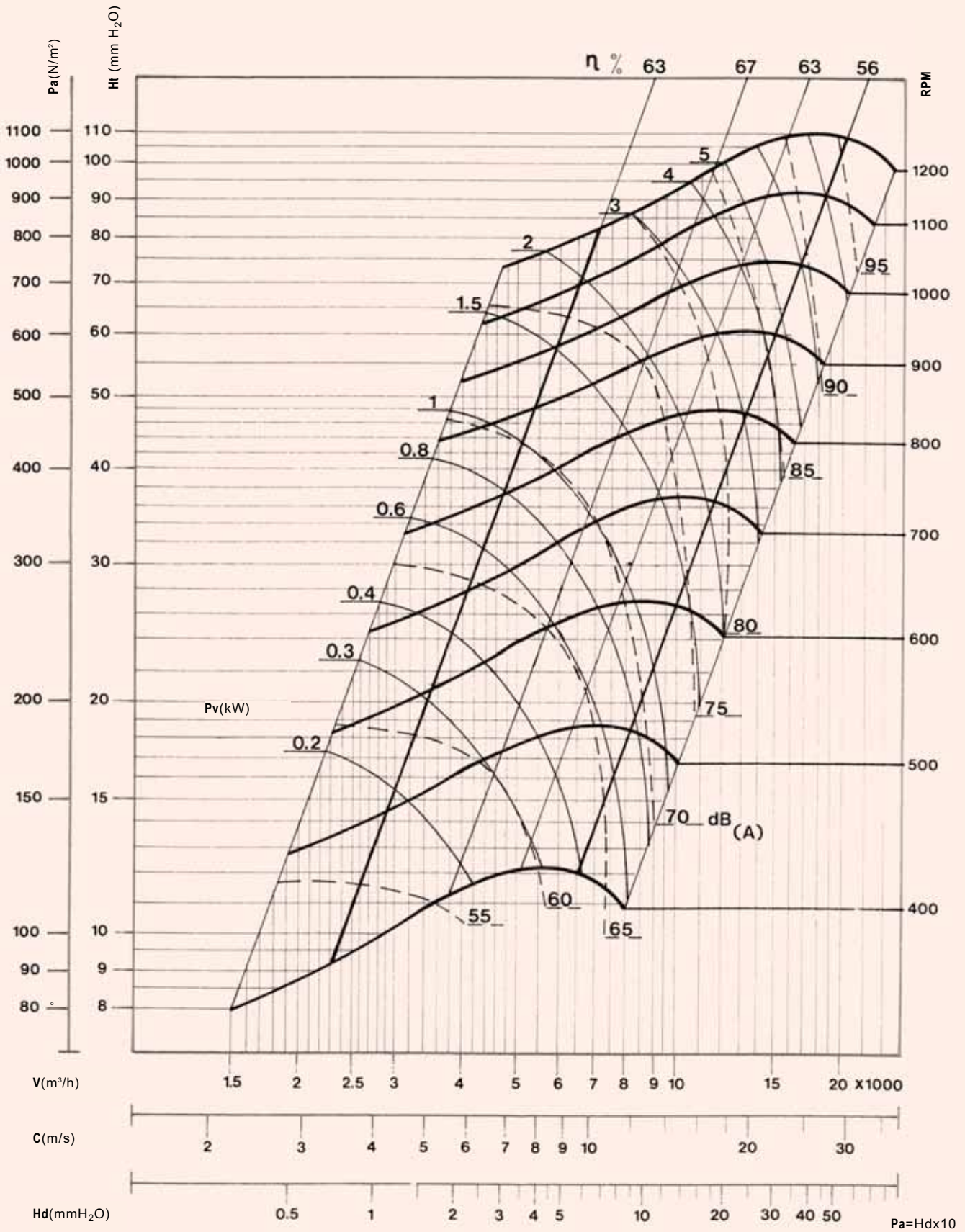


“RMTB” - ROOF MOUNTED, BELT DRIVEN MODELS - DIMENSIONS (mm)

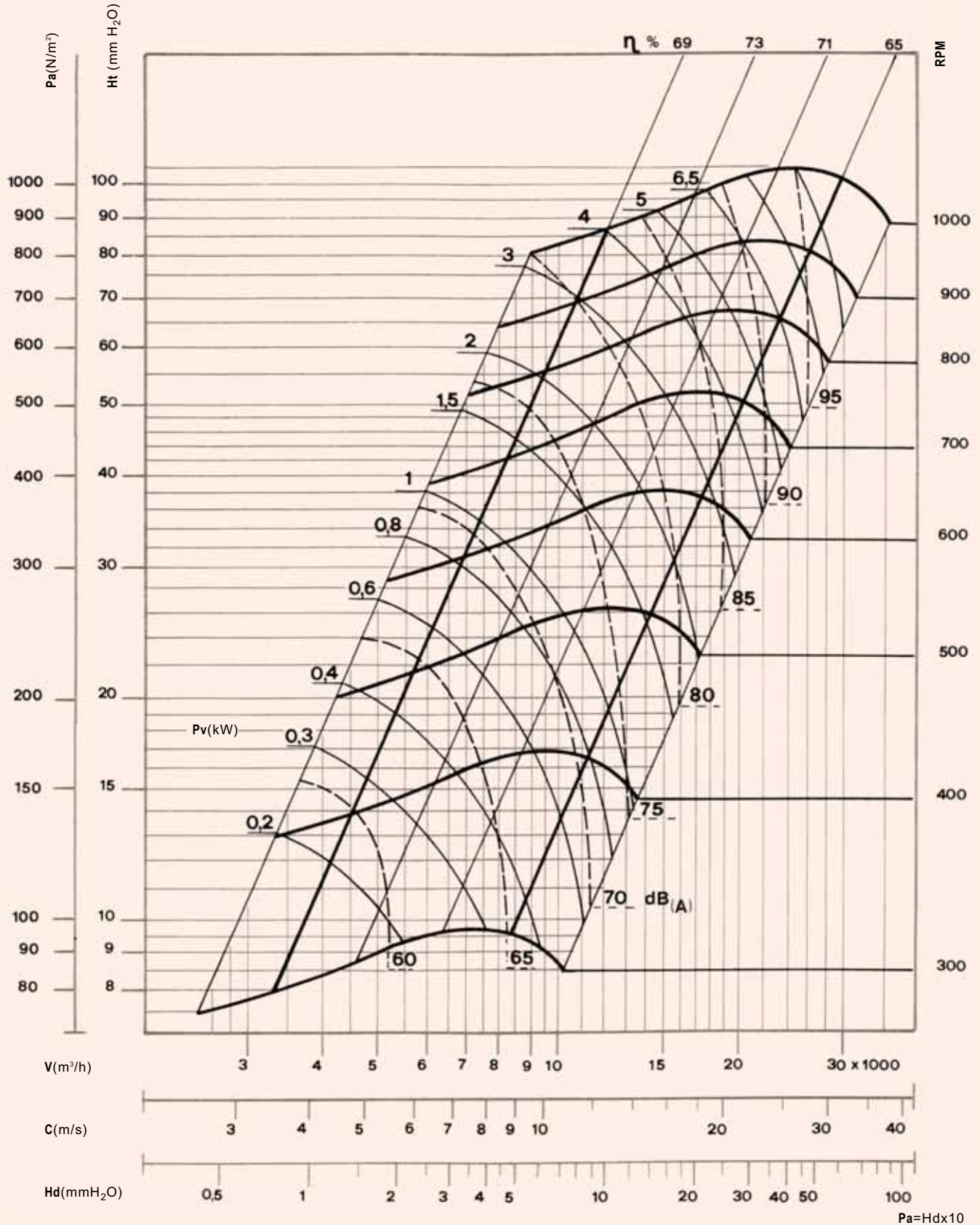
	A	B	C	D	E	F	G
15/15	1500	1000	1800	400	500	1760	1460
18/18	1500	1000	2000	500	600	1860	1460
20/20	1800	1200	2200	600	700	1860	1760
22/22	2000	1350	2300	650	800	1860	1860
25/25	2200	1500	2400	700	1000	2560	2160



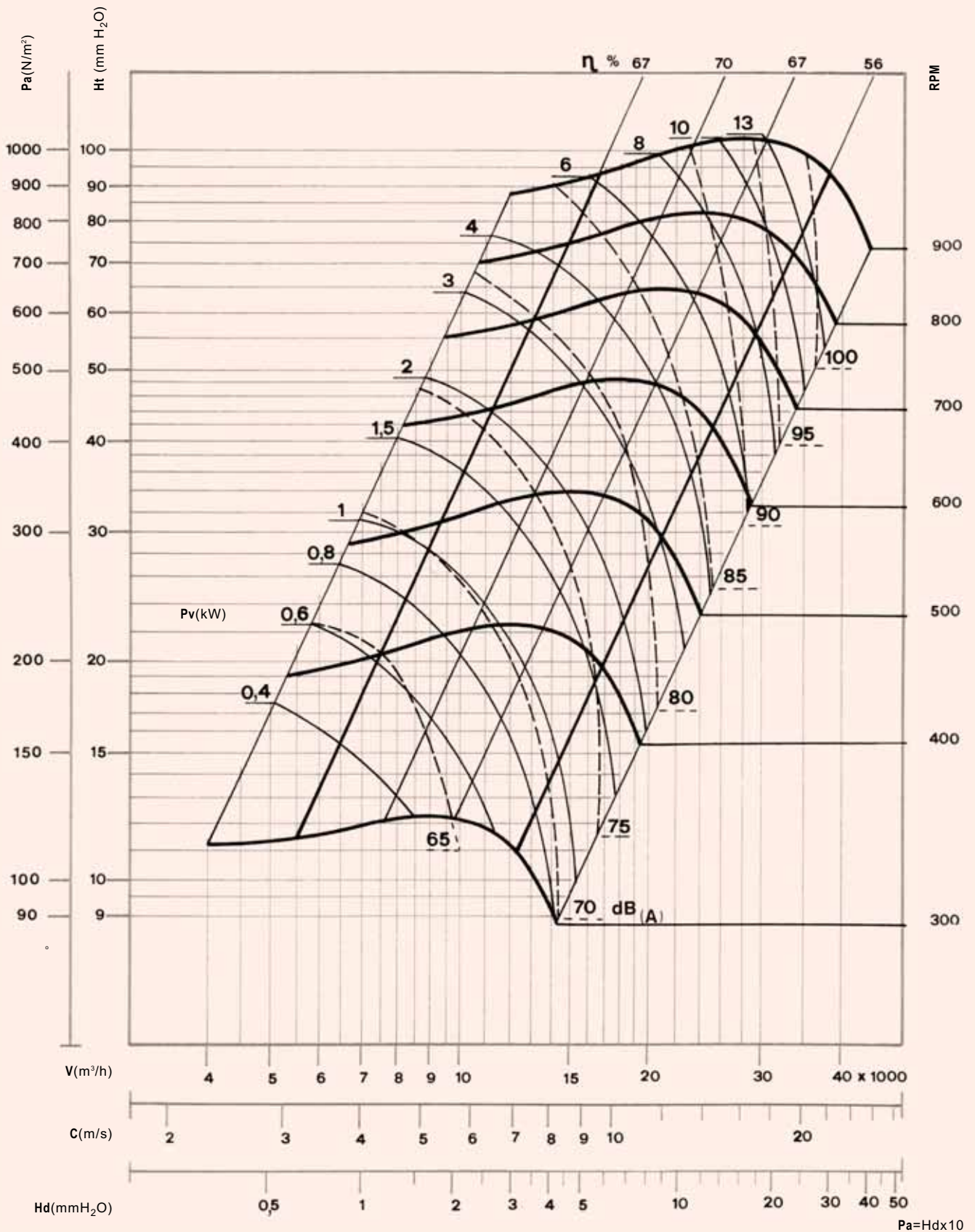
“DMTB” and “RMTB” - MODEL 15/15 - PERFORMANCE CURVES



“DMTB” and “RMTB” - MODEL 18/18 - PERFORMANCE CURVES

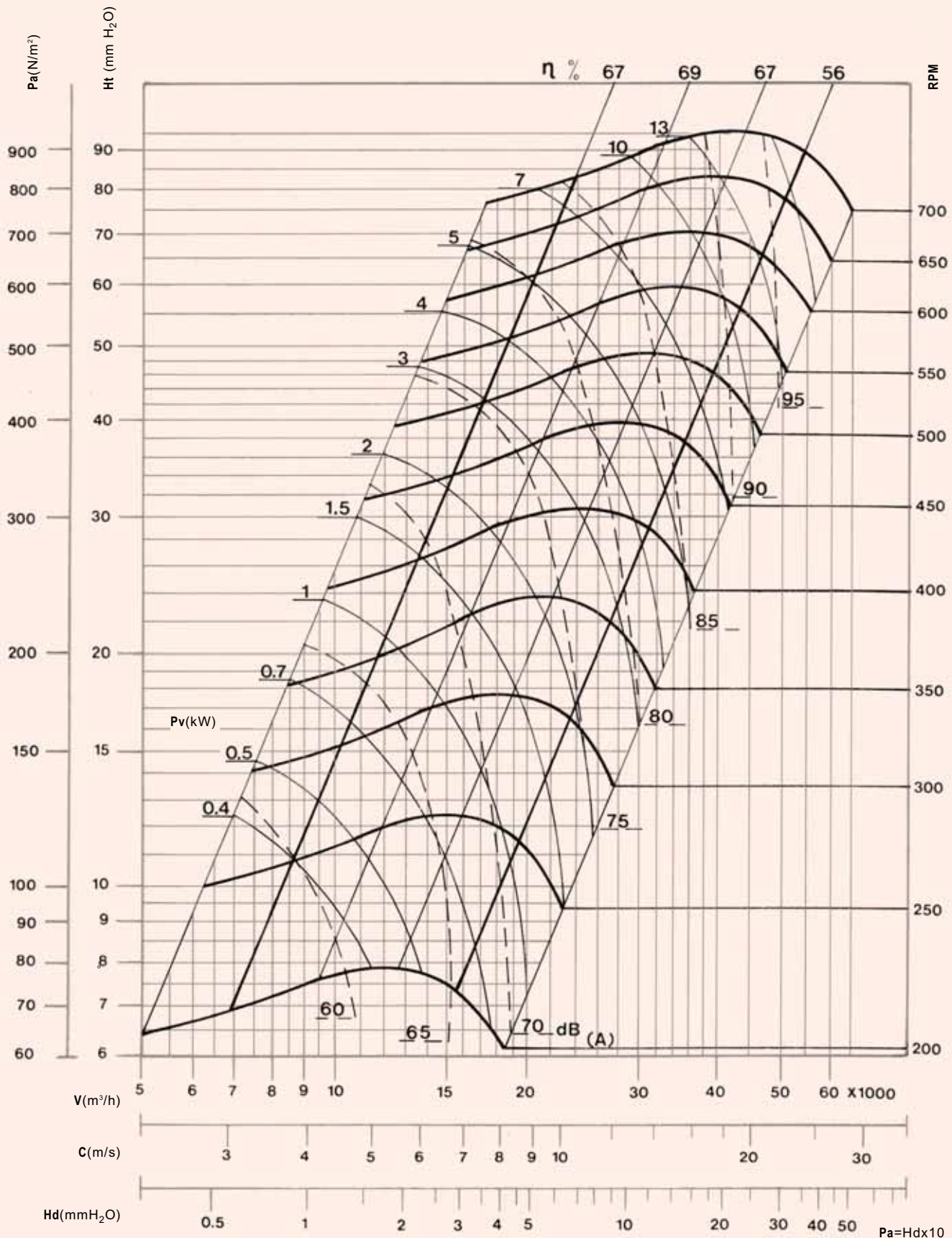


“DMTB” and “RMTB” - MODEL 22/22 - PERFORMANCE CURVES



$Pa = Hd \times 10$

“DMTB” and “RMTB” - MODEL 25/25 - PERFORMANCE CURVES

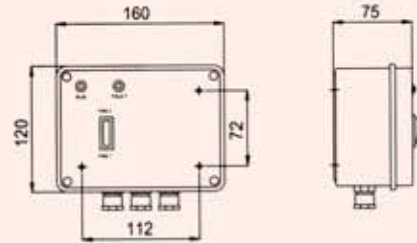


CENTRIFUGAL TWIN FAN ACCESSORIES

AUTOCHANGEOVER CONTROLLERS FOR 'DMT', 'RMT' and BELT DRIVEN FANS

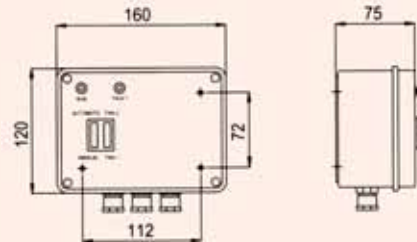
VAC1

- Incorporates a switch to select which fan to be operational
- In the event of a failure the standby fan starts automatically
- Front panel incorporates fan failure indicator



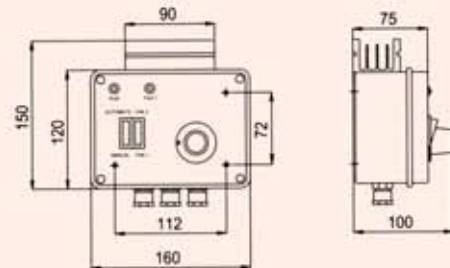
VAC2

- In 'manual' position works in same way as **VAC1** above
- In 'automatic' position will alternate operation of duty and standby fans in order to avoid one fan working continuously



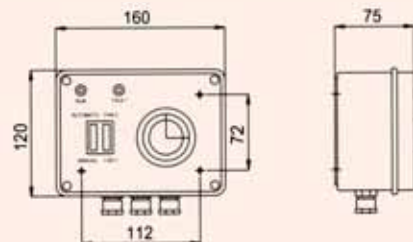
VAC2S

- The autochangeover controller has the same features as **VAC2** above **except:**
- The **VAC2S** incorporates a speed regulator
- **Rating:** 230V:1ph;50Hz:6A maximum



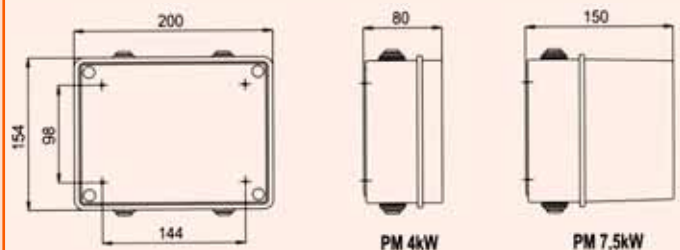
VAC3

- The autochangeover controller has the same features as **VAC2** above **except:**
- The exchange of operation between the two fans is controlled by a 7-day programmer
- **Rating:** 230V:1ph;50Hz:6A maximum

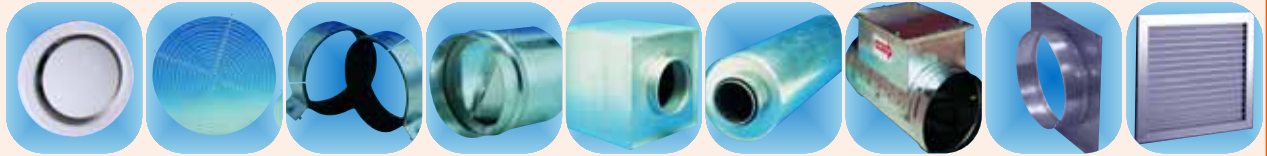


PWM

Power Module **PWM** MUST be used with **VAC1**, **VAC2** and **VAC3** for 3-phase fans.



ACCESSORIES



Size		Air Valve (1)	Protection Guard	Duct Clamp	Backdraught Shutter	Filter Cassette	Silencer	Duct Heater	Spigot Plate	Door Transfer Grille
in	cm									
4	10	VAV4	CILG100	CILDC100	GS100	AFC100	SIL100	DH100-0.8kw	SPL100	-
5	12	VAV5	CILG125	CILDC125	GS125	AFC125	SIL125	DH125-1.2kw	SPL120	-
6	15	VAV6	CILG150	CILDC150	GS150	AFC150	SIL150	DH150-1.2kw	SPL150	NVGD6
8	20	VAV8	CILG200	CILDC200	GS200	AFC200	SIL200	DH200-2.5kw	SPL200	NVDG8
10	25	-	CILG250	CILDC250	GS250	AFC250	SIL250	DH250-3.0kw	SPL250	NVDG10
12	31	-	CILG315	CILDC315	GS315	AFC315	SIL315	DH315-4.5kw	SPL300	NVGD12
14	35	-	CILG355	CILDC355	GS355	AFC350	SIL350	DH350-6.0kw	SPL350	NVGD14
16	40	-	-	-	-	AFC400	SIL400	DH400-11kw	SPL400	NVGD16
18	10	-	-	-	-	AFC450	SIL450	DH450-12kw	SPL450	NVGD18
20	20	-	-	-	-	AFC500	SIL500	DH500-15kw	SPL500	NVDG20



Size		Flexible Ducting(2)	Worm Drive Clips	Duct Joining Piece	T Section	Y Piece	Flexible Duct Connector(3)	Egg Crate Grille		Single Deflection Grille	
in	cm							Standard	Damper	Standard	Damper
4	10	VFD4/6	WDC4	DJP4	TP4	YP4	-	-	-	-	-
5	12	VFD5/6	WDC5	DJP5	TP5	YP5	FLC125	-	-	-	-
6	15	VFD6/6	WDC6	DJP6	TP6	YP6	FLC150	ECG6	ECGD6	SD6	SDD6
8	20	VFD8/6	WDC8	DJP8	TP8	YP8	FLC200	ECG8	ECGD8	SD8	SDD8
10	25	VFD10/6	WDC10	DJP10	TP10	-	FLC250	ECG10	ECGD10	SD10	SDD10
12	31	VFD315/6	WDC12/16	DJP12	TP12	-	FLC310	ECG12	ECGD12	SD12	SDD12
14	35	VFD14/6	WDC12/16	DJP14	-	-	FLC350	ECG14	ECGD14	SD14	SDD14
16	40	VFD16/6	WDC12/16	DJP16	-	-	FLC400	ECG16	ECGD16	SD16	SDD16
18	45	VFD18/6	WDC18/22	DJP18	-	-	FLC450	ECG18	ECGD18	SD18	SDD18
20	50	VFD20/6	WDC18/22	DJP20	-	-	FLC500	ECG20	ECGD20	SD20	SDD20



Size		Multi Spigot Box(4)	Grille Box(5)		Gravity Shutter(6)	External Louvre(7)	Wall Cowl	Roof Terminal		Anti Vibration Mounts	
in	cm		Top	Side				Standard	Shutters	Standard	Spring
4	10	MSB4/-	-	-	GG4	FG4	VWC	-	-	AVM1	AVMS
5	12	MSB5/-	-	-	GG5	FG5	VWC	-	-	AVM1	AVMS
6	15	MSB6/-	GB6/4	GBS6/4	GG6	FG6	VWC	-	-	AVM1	AVMS
8	20	MSB8/-	GB8/6	GBS8/6	GG20	FGS8	-	RT200	RTS200	AVM1	AVMS
10	25	MSB10/-	GB10/6	GBS10/6	GG25	FGS10	-	RT200	RTS200	AVM1	AVMS
12	31	MSB12/-	GB12/8	GBS12/8	GG31	FGS12	-	RT300	RTS300	AVM1	AVMS
14	35	MSB14/-	GB14/10	GBS14/10	GG35	FGS14	-	RT350	RTS350	AVM1	AVMS
16	40	MSB16/-	GB16/12	GBS16/12	GG40	FGS16	-	RT400	RTS400	AVM1	AVMS
18	45	MSB18/-	GB18/-	GBS18/-	GG45	FGS18	-	RT400	RTS400	AVM1	AVMS
20	50	MSB20/-	GB20/-	GBS20/-	GG50	FGS20	-	RT500	RTS500	AVM1	AVMS

- (1) VAV4 and VAV5 also available in chrome, steel and with integral fire damper. VAV6 also available in chrome and steel.
 (2) Vectaire Flexible Ducting available in different lengths. Insulated aluminium and acoustic aluminium flexible ducting also available.
 (3) For use with circular, rigid ducting
 (4) Code represents size of main and side branches, e.g MSB12/10 is 12" main and 10" side branches.
 (5) First number represents Grille Box size, second number duct diameter (both sizes in inches) - other size/diameter combinations available
 (6) 10, 12 and 15cm Gravity Shutters plastic - other sizes with metal frame and plastic louvres.
 (7) 10, 12 and 15cm External Louvres plastic - all other sizes aluminium with birdscreen
 N.B - all grilles and grille boxes available in larger sizes.

Vectaire Ltd
 Lincoln Road
 Cressex Business Park
 High Wycombe
 Buckinghamshire
 HP12 3RH
 Tel: +44 (0)1494 522333
 Fax: +44 (0)1494 522337
 Email: sales@vectaire.co.uk
 www.vectaire.co.uk

